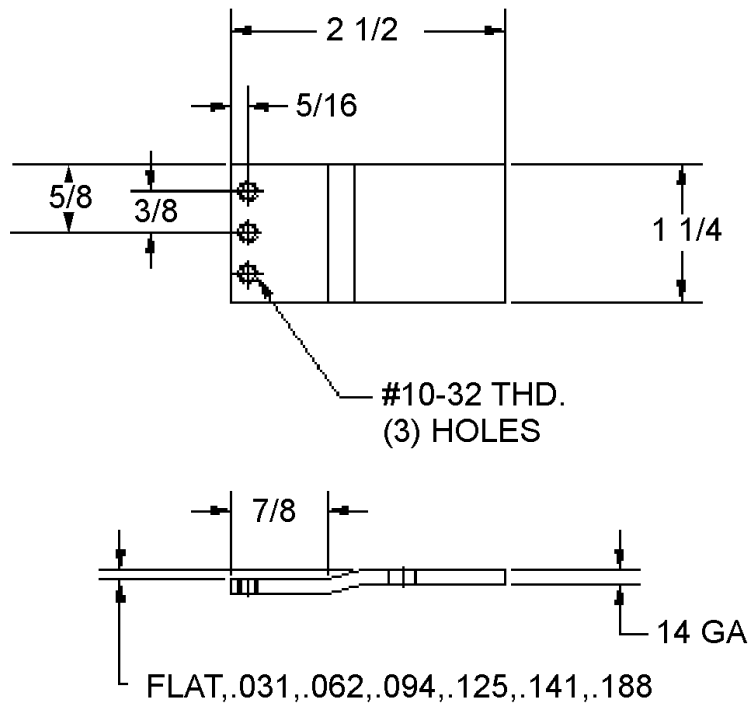


POWER TRANSFER REINFORCEMENT

PART NO.

PT-01 Z (1 1/4 WIDE)



PT-02 (1 1/2 WIDE)
with or without
projections

