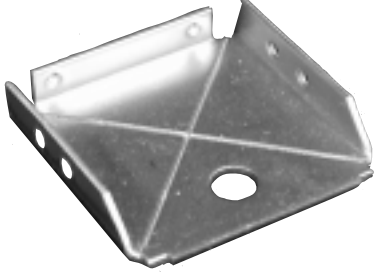

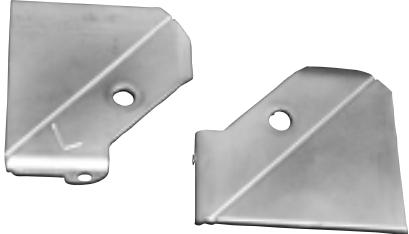
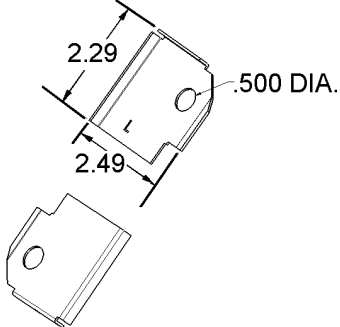


# MISCELLANEOUS PARTS

Part Number	Description	
CG-18 SCORED 4D	<b>CORNER GUSSET</b>  (18 GA)	
CG-19F	<b>CORNER GUSSET</b>  (19 GA)	
CG-2000-L CG-2000-R CG-2000-L NP CG-2000-R NP	<b>CORNER GUSSET-LEFT</b> <b>CORNER GUSSET-RIGHT</b> <b>NO PROJECTIONS</b> <b>NO PROJECTIONS</b>  (18 GA)	
CG-2004-L CG-2004-R	<b>DRYWALL</b> <b>CORNER GUSSET</b>  (18 GA)	
CG-18W CG-18WP	<b>CORNER GUSSET</b>  <b>WINDOW MOLDING GUSSET</b> <b>with PROJECTIONS</b> (18 GA)	