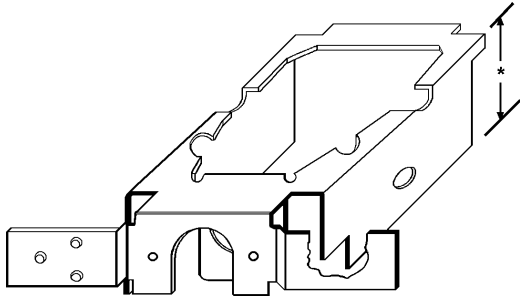
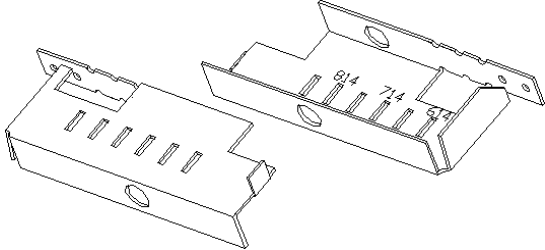
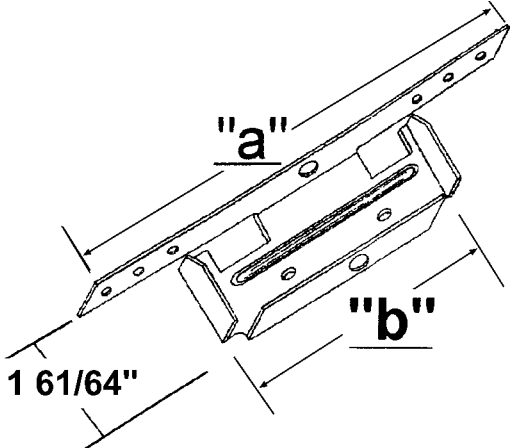


MISCELLANEOUS PARTS

| Part Number | Description | | | | | | | | | | | | | | | | | | | | | | | | | |
|--|---|---|-----|----|--------|--------|--------|--------|--------|--------|--------|---------|--------|---------|--------|---------|--------|---------|--------|---------|--------|---------|-----|---------|---------|--|
| <p>CLB-BV-N 158 CLB-BV-N 158E CLB-BV-P 158 CLB-SQ-N 158 CLB-SQ-N 158E CLB-SQ-P 158 CLB-SQ-P 158E CLB-BV-N 11932 CLB-BV-P 11932 CLB-BV-N 11932E CLB-BV-P 11932E CLB-SQ-N 11932E CLB-SQ-P 11932E CLB-BV-N 158E062</p> | <p>CYLINDER LOCK BOX (CONFORMS TO ADA TEMPLATES) BEVEL, NO PROJECTIONS BEVEL, NO PROJ., E.Z. BEVEL, with PROJECTIONS SQUARE, NO PROJECTIONS SQUARE, NO PROJ, E.Z. SQUARE, with PROJECTIONS SQUARE, with PROJ, E.Z. BEVEL, NO PROJECTIONS BEVEL, with PROJECTIONS BEVEL, NO PROJ, E.Z. BEVEL, with PROJ, E.Z. SQUARE, NO PROJ, E.Z. SQUARE, with PROJ, E.Z. BEVEL, NO PROJ, E.Z., .062 OFFSET</p> <p>(16GA)</p> |  <p>*158 = 1 5/8" LEG HEIGHT *11932 = 1 19/32" LEG HEIGHT STANDARD OFFSET=.109, (UNLESS OTHERWISE NOTED)</p> | | | | | | | | | | | | | | | | | | | | | | | | |
| <p>SIA-ADJ 534-834</p> | <p>ADJUSTABLE SNAP-IN ANCHOR 5 3/4"- 8 3/4"</p> <p>2 PCS/ANCHOR (18 GA E.Z.)</p> |  | | | | | | | | | | | | | | | | | | | | | | | | |
| <p>SIA-534 ANCHOR SIA-LONG-434 SIA-LONG-534 SIA-LONG-614 SIA-LONG-634 SIA-LONG-714 SIA-LONG-734 SIA-LONG-814 SIA-LONG-834 SIA-LONG-1100 SIA-LONG-1134</p> | <p>SNAP IN ANCHOR FOR 4 3/4" - 11" FRAMES</p> <table border="1" data-bbox="500 1360 808 1843"> <thead> <tr> <th>"a"</th> <th>"b"</th> </tr> </thead> <tbody> <tr> <td>7"</td> <td>5-3/4"</td> </tr> <tr> <td>8-1/4"</td> <td>4-3/4"</td> </tr> <tr> <td>9-1/4"</td> <td>5-3/4"</td> </tr> <tr> <td>9-3/4"</td> <td>6-1/4"</td> </tr> <tr> <td>10-1/4"</td> <td>6-3/4"</td> </tr> <tr> <td>10-3/4"</td> <td>7-1/4"</td> </tr> <tr> <td>11-1/4"</td> <td>7-3/4"</td> </tr> <tr> <td>11-3/4"</td> <td>8-1/4"</td> </tr> <tr> <td>12-1/4"</td> <td>8-3/4"</td> </tr> <tr> <td>14-1/2"</td> <td>11"</td> </tr> <tr> <td>15-1/4"</td> <td>11 3/4"</td> </tr> </tbody> </table> | "a" | "b" | 7" | 5-3/4" | 8-1/4" | 4-3/4" | 9-1/4" | 5-3/4" | 9-3/4" | 6-1/4" | 10-1/4" | 6-3/4" | 10-3/4" | 7-1/4" | 11-1/4" | 7-3/4" | 11-3/4" | 8-1/4" | 12-1/4" | 8-3/4" | 14-1/2" | 11" | 15-1/4" | 11 3/4" |  <p>(18 GA E.Z.)</p> |
| "a" | "b" | | | | | | | | | | | | | | | | | | | | | | | | | |
| 7" | 5-3/4" | | | | | | | | | | | | | | | | | | | | | | | | | |
| 8-1/4" | 4-3/4" | | | | | | | | | | | | | | | | | | | | | | | | | |
| 9-1/4" | 5-3/4" | | | | | | | | | | | | | | | | | | | | | | | | | |
| 9-3/4" | 6-1/4" | | | | | | | | | | | | | | | | | | | | | | | | | |
| 10-1/4" | 6-3/4" | | | | | | | | | | | | | | | | | | | | | | | | | |
| 10-3/4" | 7-1/4" | | | | | | | | | | | | | | | | | | | | | | | | | |
| 11-1/4" | 7-3/4" | | | | | | | | | | | | | | | | | | | | | | | | | |
| 11-3/4" | 8-1/4" | | | | | | | | | | | | | | | | | | | | | | | | | |
| 12-1/4" | 8-3/4" | | | | | | | | | | | | | | | | | | | | | | | | | |
| 14-1/2" | 11" | | | | | | | | | | | | | | | | | | | | | | | | | |
| 15-1/4" | 11 3/4" | | | | | | | | | | | | | | | | | | | | | | | | | |