

DAYTON INDUSTRIES, INC.

| | |
|---|--|
| FB-01C832 094Z12 | |
| Flush Bolt Tab For 1" face flush bolts 3/32" offset 7/8" x 2 1/2" x 11 gage HRPO (2) 8-32 THD \$ 45.60/pkg of 50 | |

| | |
|--|--|
| SR-02C08-32Z094 | |
| Dead Lock / Spring Latch Tab For 160 & 161 latch bolts 3/32" offset. Zn Plated 7/8" x 2 1/2" x 11 gage HRPO 8-32 THD \$ 45.60/pkg of 50 | |

| | |
|---|--|
| FB-01C832 FLAZ12 | |
| Flush Bolt Tab Zn Plated For 1" face flush bolts No offset 7/8" x 2 1/2" x 11 gage HRPO (2) 8-32 THD \$ 45.60/pkg of 50 | |

| | |
|--|--|
| SR-02C08-32Z062 | |
| Dead Lock / Spring Lock Strike Tab For 160 & 161 latch bolts 1/16" offset. Zn Plated 7/8" x 2 1/2" x 11 gage HRPO 8-32 THD \$ 45.60/pkg of 50 | |

| | |
|---|--|
| FB GUIDE C 1/2 DE | |
| FB GUIDE C 9/16 DE | |
| Flush Bolt Guide Tab-Zn Plated 1 3/8 x 2 1/2 x 11GA EZ 1/2" & 9/16" "D" Guide Hole | |
| FB GUIDE C 1/2 SQ E 1 3/8 x 2 1/2 x 11GA EZ 1/2 x 1/2 Square hole \$ 62.50/pkg of 50 | |

| | |
|---|--|
| SR-02C12-24Z062 | |
| ASA Strike Tab Zn Plated For ASA strikes 1/16" offset. 7/8" x 2 1/2" x 11 gage HRPO 12-24 THD \$45.60/pkg of 50 | |

| | |
|--|--|
| SR-02C08-32ZFLA | |
| Flush Bolt Strike Tab Zn Plated For strike in header bars No offset 7/8" x 2 1/2" x 11 gage HRPO 8-32 THD \$ 45.60/pkg of 50 | |


| | |
|---|--|
| SR-02C12-24Z313 | |
| Electric Strike Tab For Von Duprin, Folger Adams electric strikes 5/16" offset. Zn Plated 7/8" x 2 1/2" x 11 gage HRPO 12-24 THD \$ 45.60/pkg of 50 | |

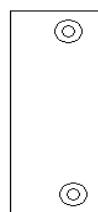
| | |
|--|--|
| SR-02C12-24ZFLA | |
| Strike Tab Zn Plated For strike in frame No offset 7/8" x 2 1/2" x 11 gage HRPO 12-24 THD \$ 45.60/pkg of 50 | |

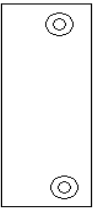
| | |
|--|--|
| SR-02C12-24Z125 | |
| 86 Lock Edge Tab For Government 86 locks 1/8" offset. Zn Plated 7/8" x 2 1/2" x 11 gage HRPO 12-24 THD \$ 45.60/pkg of 50 | |

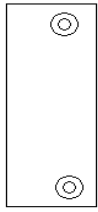
NOTE: PRICES ARE SUBJECT TO CHANGE WITHOUT NOTICE

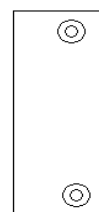
DAYTON INDUSTRIES, INC.

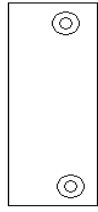
| | |
|--|---|
| HFILL-45112 CTN YCH |  |
| 4 1/2" Door Hinge Filler Plate Two Zn Yellow Chromate or EZ For beveled edge (handed) doors. Two (2) #12-24 FHMS 1 1/2" x 4 1/2" x 10 gage HRPO (2) # 12 CSK \$ 19.75/pkg of 25 | |

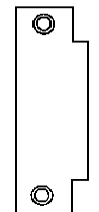
| | |
|---|---|
| HFILL-50112 CTN YCH |  |
| 5" Door Hinge Filler Plate Zn Yellow Chromate or EZ For beveled edge (handed) Two (2) #12-24 FHMS 1 1/2" x 5" x 10 gage HRPO (2) # 12 CSK \$ 19.75/pkg of 25 | |


| | |
|--|---|
| REVDRFILL-45134CYCH |  |
| 4 1/2" Door Hinge Filler Two (2) #12-24 FHMS 1 3/16" edge to C/L of CSK For square edge (non-handed) doors. Zn yellow Chromate or EZ 1 3/4" x 4 1/2" x 10 gage HRPO (2) # 12 CSK \$ 19.75/pkg of 25 | |

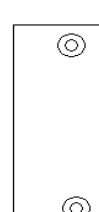
| | |
|---|---|
| HFILL-50134 CTN YCH |  |
| 5" Door Hinge Filler Plate Zn Yellow Chromate or EZ For square edge (handed) Two (2) #12-24 FHMS 1 3/4" x 5" x 10 gage HRPO (2) #12 CSK \$ 19.75/pkg of 25 | |


| | |
|--|--|
| HFILL-45158 CTN YCH |  |
| 4 1/2" Door Hinge Filler Two (2) #12-24 FHMS Zn Yellow Chromate or EZ For 1 3/4" rabbeted frames 1 5/8" x 4 1/2" x 10 gage HRPO (2) # 12 CSK \$ 19.75/pkg of 25 | |

| | |
|---|--|
| HFILL-50158 CTN YCH |  |
| 5" Door Hinge Filler Plate Zn Yellow Chromate or EZ For 1 3/4" rabbeted frames 1 5/8" x 5" x 10 gage HRPO (2) # 12 CSK Two (2) #12-24 FHMS \$ 19.75/pkg of 25 | |

| | |
|--|---|
| FILP-47800 CTN YCH |  |
| Strike Filler Plate Zn Yellow Chromate or EZ For ASA strike 1 1/4" x 4 7/8" x 13 gage HRPO (2) # 12 CSK Two (2) #12-24 FHMS \$ 16.00/pkg of 25 | |


| | |
|---|---|
| SFILP-47800 CTN YCH |  |
| Strike Filler Plate For ASA dead lock, strike no lip 1 1/4" x 4 7/8" x 13 gage HRPO (2) # 12 CSK Zn Yellow Chromate or EZ Two (2) #12-24 FHMS \$ 16.00/ pkg of 25 | |

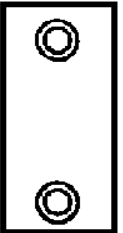
| | |
|---|---|
| HFILL-45134 CTN YCH |  |
| 4 1/2" Door Hinge Filler Plate 1" edge to C/L of CSK 1 3/4" x 4 1/2" x 10 gage HRPO Zn Yellow Chromate or EZ (2) # 12 CSK (handed) Two (2) #12-24 FHMS \$ 19.75/pkg of 25 | |

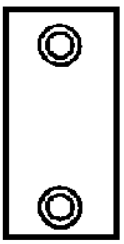
| | |
|--|---|
| FILP-23403 CTN YCH |  |
| Strike Filler Plate 1 1/8" x 2 3/4" x 12 gage HRPO (2) # 8 CSK Zn Yellow Chromate or EZ Two (2) #8-32 FHMS \$ 14.75/pkg of 25 | |


NOTE: PRICES ARE SUBJECT TO CHANGE WITHOUT NOTICE

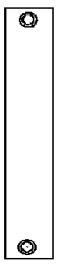
DAYTON INDUSTRIES, INC.

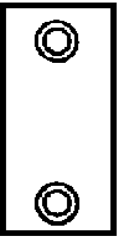
| | |
|--|---|
| FILP-23402 CTN YCH Strike Filler Plate For government 160 strike 1 1/8" x 2 3/4"x16 gage HRPO (2) # 8 CSK Zn Yellow Chromate or EZ Two (2) #8-32 FHMS \$ 14.00/pkg of 25 |  |
|--|---|

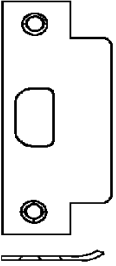
| | |
|--|---|
| FILP-23404 CTN YCH 160SFB Strike Filler Plate For Schlage B lock & others. 1 1/8" x 2 3/4" x 16 gage HRPO (2) # 8 CSK Zn Yellow Chromate or EZ Two (2) #8-32 FHMS \$ 14.75/pkg of 25 |  |
|--|---|

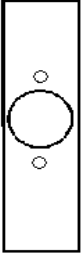
| | |
|--|---|
| FILP-21401 CTN YCH Door Edge Filler Plate For government 161 latch 1 1/8" x 2 1/4" x 11 gage HRPO (2) # 8 CSK Zn Yellow Chromate or EZ Two (2) #8-32 FHMS \$ 14.75/pkg of 25 |  |
|--|---|

| | |
|--|---|
| FILP-21403 CTN YCH 48FBS Flush Bolt Strike Filler 15/16" x 2 1/4" x 16 gage HRPO (2) # 8 CSK Zn Yellow Chromate or EZ Two (2) #8-32 FHMS \$ 14.75/pkg of 25 |  |
|--|---|

| | |
|---|---|
| FILP-80010 CTN YCH Door Edge Filler Plate For government 86 mortise 1 1/4" x 8" x 7 gage HRPO (2) # 12 CSK Zn Yellow Chromate or EZ Two(2) #12-24 FHMS \$ 24.25/pkg of 25 |  |
|---|---|

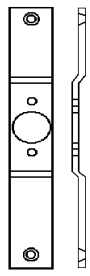
| | |
|--|---|
| FILP-63400 CTN YCH 48 FBF Flush Bolt Filler 1" x 6 3/4" x 11 gage HRPO (2) # 8 CSK Zn Yellow Chromate or EZ Two (2) #8-32 FHMS \$ 22.25/pkg of 25 |  |
|--|---|

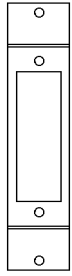
| | |
|--|---|
| SP-47812C CTN YCH CURVED LIP <hr/> SP-47812S CTN YCH Straight <hr/> ASA Strike CRS Zn Yellow Chromate or EZ 1 1/4" x 4 7/8" x 13 gage (2) # 12 CSK Two(2) #12-24 FHMS \$33.25/pkg of 25 |  |
|--|---|

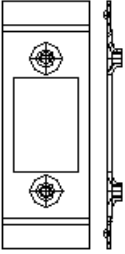
| | |
|--|---|
| LKRF-16100 Z CTN <hr/> # 161 Lock Reinforcement Zn Plated 1 1/4" x 4 1/2" x 7 gage 1 1/16" Dia Ctr Hole (2) 8-32 Thd \$147.50/pkg of 25 |  |
|--|---|

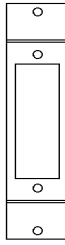
NOTE: PRICES ARE SUBJECT TO CHANGE WITHOUT NOTICE

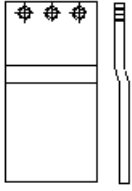
DAYTON INDUSTRIES, INC.

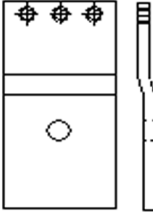
| | |
|---|---|
| CONV-86161 Z CTN |  |
| 86LA Latch Adaptor Zn Plated 86 lock edge to 161 latch 161 latch position is offset 3/16" (2) #12 CSK (2) 8-32 THD Two(2)#12-24 FHMS \$ 29.00/pkg of 10 | |

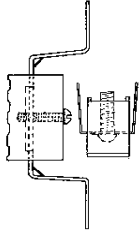
| | |
|---|---|
| CONV-86-ASA Z CTN |  |
| 86 SA Strike Adaptor Zn Plated Two(2)#12-24FHMS 86 lock edge to ASA strike 3/32" offset 1 1/4" x 8" x 7 gage HRPO cutout 3/4" x 3 1/2" (2) # 12 CSK \$ 62.08/pkg of 10 | |

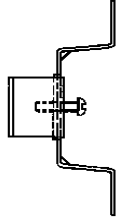
| | |
|--|---|
| SR-234 NP Z CTN |  |
| One Piece Strike Reinforcement 1 3/8" x 3 15/16" x 14 gage inside cutout 1 5/8" x 1" Zinc Plate (2) 8-32 THD \$ 40.60/pkg of 25 | |

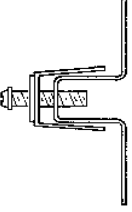
| | |
|--|---|
| SR-478 NP E CTN |  |
| One Piece Strike Reinforcement 1 5/8" x 7 5/8" x 14 gage inside cutout 1 5/32" x 3 1/2" EZ (2) 12-24 THD \$ 40.60/pkg of 25 | |

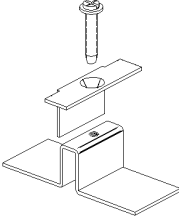
| | |
|---|--|
| PT-01 Z CTN |  |
| Power Transfer Tab 1 1/4" x 2 1/2" x 14 gage Zinc Plate .125" offset (3) 10-32 THD \$ 50.00/pkg of 25 | |

| | |
|---|--|
| FB-08C10-24 188Z |  |
| Power Transfer Tab 1 1/4" x 2 1/2" x 11 gage Zinc Plate .188" offset (3) 10-24 THD \$ 54.70/pkg of 25 | |

| | |
|---|---|
| PCLP-1 CTN |  |
| Compression Clamp Assy Wood Stud Application 16 & 18 gage CRS \$ 68.64/pkg of 50 | |

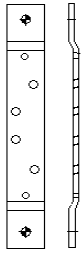
| | |
|---|---|
| PCLP-3 CTN |  |
| Compression Clamp Assy Steel Stud application 16 gage CRS \$ 96.00/pkg of 50 | |

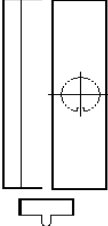
| | |
|---|---|
| PCLP-2 CTN |  |
| Compression Clamp Assy Washer Hd screw locates and fills frame hole 16 & 18 gage CRS \$ 115.20/pkg of 50 | |

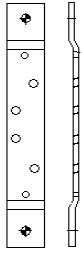
| | |
|--|---|
| PCLP-NS CTN |  |
| Narrow Stop / Fits 5/8" Stop Compression Clamp Assy Washer Hd screw locates and fills frame hole 14 gage CRS \$ 112.00/pkg of 50 | |

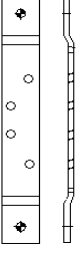
NOTE: PRICES ARE SUBJECT TO CHANGE WITHOUT NOTICE

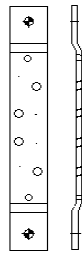
DAYTON INDUSTRIES, INC.

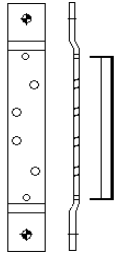
| | |
|--|---|
| HR45AYN07Z10C062 |  |
| 4.5" RW Hinge Reinforcement 1 1/4" x 10" x 7 gage HRPO 4 holes tapped 12-24 fits doors & frames Accepts DC-TAB .062" off set Zn Plate or EZ | |
| \$ 150/pkg of 100 | |
| HR45AYN07Z10D062 | |
| \$ 54.00/pkg of 30 | |

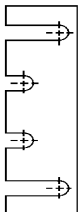
| | |
|---------------------------|---|
| DC-TAB CTN |  |
| Mortar Box | |
| 24 Gage EZ | |
| \$ 17.60/pkg of 36 | |

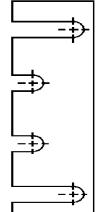
| | |
|---|---|
| HR45AYN07Z10C094 |  |
| 4.5" HW Hinge Reinforcement 1 1/4" x 10" x 7 gage HRPO 4 holes tapped 12-24 fits doors & frames Accepts DC-TAB .094" offset Zn Plate or EZ | |
| \$ 150/pkg of 100 | |
| HR45AYN07Z10D094 | |
| \$ 54.00/pkg of 30 | |

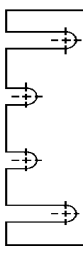
| | |
|---|---|
| HR5001N07Z09C062 |  |
| 5" RW Hinge Reinforcement 1 1/4" x 9" x 7 gage HRPO 4 holes tapped 12-24 fits doors & frames Does NOT accept DC-TAB .062" offset Zn Plate or EZ | |
| \$ 150/pkg of 100 | |
| HR5001N07Z09D062 | |
| \$ 54.00/pkg of 30 | |

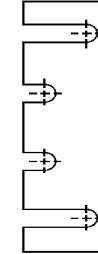
| | |
|--|---|
| HR45BJN07E10C094 |  |
| HINGE REINFORCEMENT 1 1/2" x 10" x 7 gage EZ 4 holes tapped 12-24 stand off projections that allow for Heavy & Regular Hinges Accepts DC-TAB | |
| \$ 260.00/pkg of 100 PCs | |
| HR45BJN07E10D094 | |
| \$ 90.00/pkg of 30 PCs | |

| | |
|---|---|
| ADD MB after Part # |  |
| if Mortar Box is required Note: only applies to HR45AY Zn Plate or EZ Hinge Reinforcement with DC-TAB added | |
| \$ 90.00/pkg of 30 | |
| | |

| | |
|-----------------------------------|---|
| SHM-4516-SL E CTN |  |
| Hinge Shim for 4 1/2" hinge EZ | |
| 1 1/4" x 4 1/2" x .060" | |
| \$ 20/pkg of 50 | |

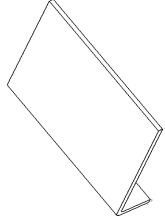
| | |
|-------------------------------|---|
| SHM-5016-SL E CTN |  |
| Hinge Shim for 5" hinge EZ | |
| 1 1/4" x 5" x .060" | |
| \$ 20/pkg of 50 | |

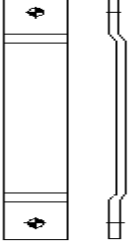
| | |
|-----------------------------------|---|
| SHM-4522-SL E CTN |  |
| Hinge Shim for 4 1/2" hinge EZ | |
| 1 1/4" x 4 1/2" x .030" | |
| \$ 20/pkg of 50 | |

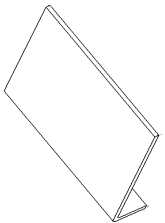
| | |
|-------------------------------|---|
| SHM-5022-SL E CTN |  |
| Hinge Shim for 5" hinge EZ | |
| 1 1/4" x 5" x .030" | |
| \$ 20/pkg of 50 | |

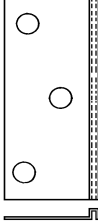
NOTE: PRICES ARE SUBJECT TO CHANGE WITHOUT NOTICE

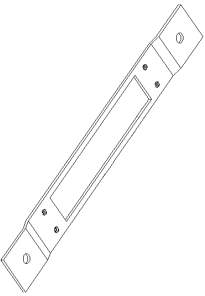
DAYTON INDUSTRIES, INC.

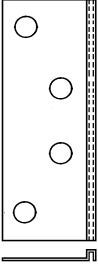
| | |
|---------------------------------------|---|
| CTWI-1 CTN |  |
| Weld-In Corner Tab | |
| For standard 2" face frames | |
| 5/8" x 7/16" x 1 7/8" 16 gage HRPO | |
| \$ 20.60/pkg of 50 | |


| | |
|--|---|
| HRB125N07Z10C062 |  |
| 1 1/4" x 10" x 7 gage | |
| Hinge Reinforcement | |
| No Tap Holes .062" offset Zn Plate or EZ | |
| \$ 150/pkg of 100 | |


| | |
|---------------------------------------|---|
| CTWI-3 CTN |  |
| Weld-In Corner Tab | |
| For 4" profile frames | |
| 5/8" x 7/16" x 3 7/8" 16 gage HRPO | |
| \$ 24.05/pkg of 50 | |

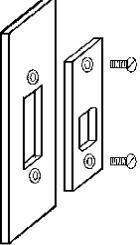
| | |
|------------------------------|---|
| REVF-35 E CTN |  |
| Reversible Door Hinge Filler | |
| 25 gage EZ | |
| \$ 38/pkg of 100 | |

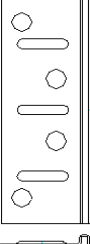
| | |
|-------------------------------|--|
| FB-ONEPC 12E CTN |  |
| One piece reinforcement EZ | |
| 1 3/8" x 11" x 14 gage | |
| \$ 48.00/pkg of 25 | |

| | |
|------------------------------|--|
| REVF-50 E CTN |  |
| Reversible Door Hinge Filler | |
| 25 gage EZ | |
| \$ 40/pkg of 100 | |

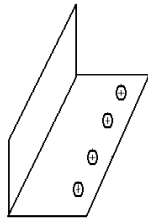
| | |
|--|---|
| COMB-234E CTN |  |
| Combination Strike Reinforcement & Dust Cover | |
| 2 3/4" 16 gage EZ | |
| \$ 30/pkg of 20 | |

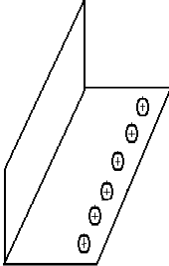
| | |
|--|---|
| COMB-478E CTN |  |
| Combination Strike Reinforcement & Dust Cover for standard ASA or 4 7/8" | |
| 4 7/8" 16 gage EZ | |
| \$ 30/pkg of 20 | |

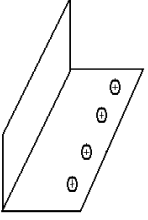
| | |
|--|---|
| FB-REV CTN YCH |  |
| Weld in Reversible Flush Bolt Strike & Reforcem't Yellow Zn Chromate | |
| 3 3/4" x 1 1/8" x 16 gage 7" x 1 1/2" x 14 gage CRS | |
| \$ 60/pkg of 25 | |

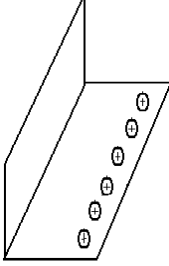
| | |
|------------------------------|---|
| REVF-4520E RIBC |  |
| Reversible Door Hinge Filler | |
| 20 gage EZ with Ribs | |
| \$ 62/pkg of 100 | |

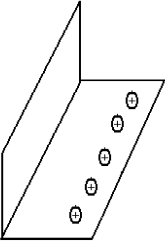
DAYTON INDUSTRIES, INC.

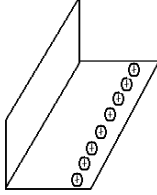
| | |
|--|---|
| FLA-275 Z CTN |  |
| Base Frame Weld In Anchor | |
| 1 3/8" x 1 3/4" x 2 3/4" 16 gage Holes on one side for anchoring Zinc Plate | |
| \$ 33.89/pkg of 50 | |

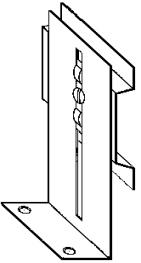
| | |
|--|---|
| FLA-500 Z CTN |  |
| Base Frame Weld In Anchor | |
| 1 3/8" x 1 3/4" x 5" 16 gage Holes on one side for anchoring Zinc plate | |
| \$ 42.09/pkg of 50 | |

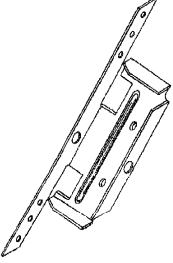
| | |
|--|---|
| FLA-325 Z CTN |  |
| Base Frame Weld In Anchor | |
| 1 3/8" x 1 3/4" x 3 1/4" 16 gage Holes on one side for anchoring Zinc Plate | |
| \$ 35.69/pkg of 50 | |

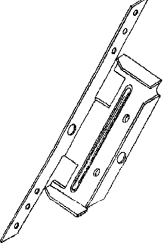
| | |
|--|---|
| FLA-600 Z CTN |  |
| Base Frame Weld In Anchor | |
| 1 3/8" x 1 3/4" x 6" 16 gage Holes on one side for anchoring Zinc Plate | |
| \$46.31/pkg of 50 | |

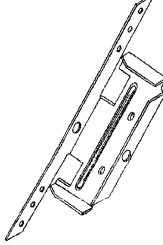
| | |
|--|--|
| FLA-400 E CTN |  |
| Base Frame Weld In Anchor | |
| 1 3/8" x 1 3/4" x 4" 16 gage Holes on one side for anchoring Zinc Plate | |
| \$ 38.42/pkg of 50 | |

| | |
|--|--|
| FLA-700 Z CTN |  |
| Base Frame Weld In Anchor | |
| 1 3/8" x 1 3/4" x 7" 16 gage Holes on one side for anchoring Zinc Plate | |
| \$52.92/pkg of 50 | |

| | |
|--|---|
| ADJFL-16 E CTN |  |
| Adjustable floor anchor | |
| Frame weld 3 1/4" x 4 1/4" Anchor 3/14" x 1 1/2" x 6 3/4" 16 gage EZ | |
| \$ 62.00/pkg of 20 | |

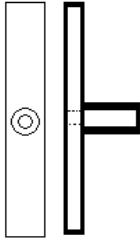
| | |
|--|---|
| SIA-LONG 814 CTN |  |
| snap in anchor 8 1/4" | |
| 8-1/4" jamb x 11 3/4" anchor 18 gage EZ | |
| \$ 88.59/pkg of 50 | |

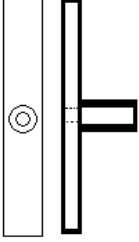
| | |
|---|---|
| SIA-LONG 534 CTN |  |
| snap in anchor 5 3/4" | |
| 5-3/4" jamb x 9 1/4" anchor 18 gage EZ | |
| \$ 25/pkg of 50 | |

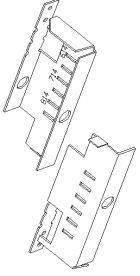
| | |
|--|---|
| SIA-LONG 834 CTN |  |
| snap in anchor 8 3/4" | |
| 8-3/4" jamb x 12 1/4" anchor 18 gage EZ | |
| \$ 96/pkg of 50 | |

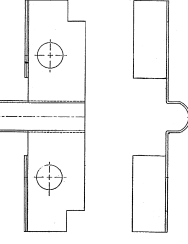
NOTE: PRICES ARE SUBJECT TO CHANGE WITHOUT NOTICE

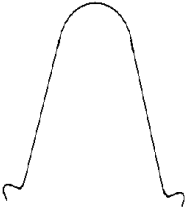
DAYTON INDUSTRIES, INC.

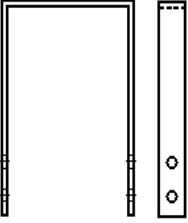
| | |
|--|---|
| EWP434-CTN |  |
| EWP534-CTN | |
| EWP534-CTN EQ | |
| Existing Wall Pipe Anchor Weld In Type Un-Equal Leg or Equal Leg (EQ) 11 gage strap, 18 gage pipe 4 3/4" & 5 3/4" \$ 150.00/pkg of 100 | |

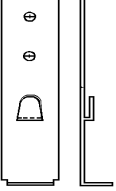
| | |
|---|---|
| EWP634-CTN |  |
| EWP734-CTN | |
| EWP834-CTN | |
| Existing Wall Pipe Anchor Weld In Type Un-Equal Leg or Equal Leg (EQ) 11 gage strap, 18 gage pipe 6 3/4", 7 3/4", 8 3/4" \$ 180.00/pkg of 100 | |

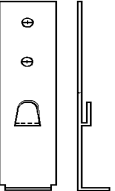
| | |
|---|---|
| SIA-ADJ 534-834C |  |
| Snap In Adjustable Anchor 5 3/4" to 8 3/4" Jamb width 18 gage EZ Note: 2 PCs/set | |
| \$ 80.00/pkg of 50 sets | |

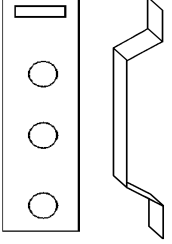
| | |
|--|---|
| EMA-58 E CTN |  |
| Adjustable Butterfly Existing wall anchor 4 3/4" to 6 3/4" 17 gage EZ | |
| \$ 76/pkg of 100 | |

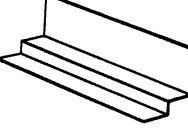
| | |
|--|--|
| WMA-7 CTN |  |
| Wire Masonry Anchor 7 gage pre-Galv 6 PCs/bag 16 Bags (min order) | |
| \$ 2.00/bag of 6 PCs | |

| | |
|--|--|
| DSA-35 E CTN |  |
| DryWall Sill Anchor Weld In 3" x 3 1/2" 18 Gage EZ | |
| \$ 50/pkg of 100 | |

| | |
|--|---|
| DSA-18 CTN |  |
| DryWall Sill Anchor 2" Trim, length = 4 1/2" 18 gage CRS | |
| \$ 42/pkg of 100 | |

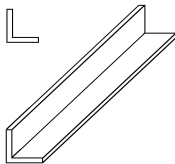
| | |
|--|---|
| DSA-15 CTN |  |
| DryWall Sill Anchor 1 1/2" Trim length = 4 " 18 gage CRS | |
| \$ 42/pkg of 100 | |

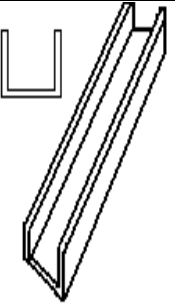
| | |
|---|---|
| MA-1016E & YOKE-16E CTN |  |
| Masonry Anchor & Yoke Weld yoke to frame 16 gage EZ | |
| \$ 109.26/pkg of 50 | |

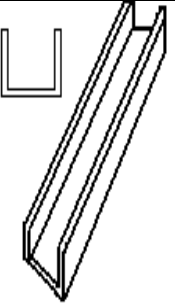
| | |
|--|---|
| CRF-6 |  |
| Closer Reinforcement Frame 14 gage x 13 3/4" long 1 7/16"x5/8"x1 15/16"x1 9/16" Galvanneal | |
| \$ 32.30/pkg of 10 | |

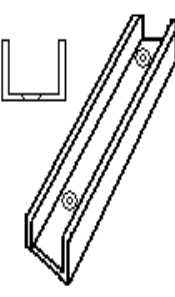
NOTE: PRICES ARE SUBJECT TO CHANGE WITHOUT NOTICE

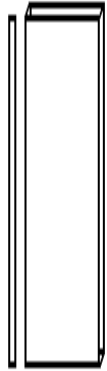
DAYTON INDUSTRIES, INC.

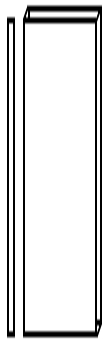
| | |
|------------------------------------|---|
| SPREADER BAR |  |
| 5/8" x 5/8" 18 gage GALVN | |
| SB-3' | |
| SB-4' | |
| SB-5' | |
| SB-6' | |
| SB-7' | |
| SB-8' SB-10' | |
| \$.27/ft per 100 pc bundle | |

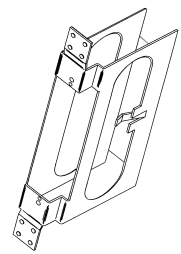
| | |
|--|---|
| Glazing Bead |  |
| GALVN No Holes 18 Gage | |
| GB-3', GB-4", GB-5" | |
| GB-6', GB-7', GB-8', GB-10' | |
| 5/8" x 3/4" x 5/8" | |
| 100 pcs \$.35/ft, 2000 pcs \$.33/ft | |
| 5/8" x 5/8" x 5/8" | |
| 100 pcs \$.30/ft, 2000 pcs \$.28/ft | |
| 100 pc bundle min | |

| | |
|--|---|
| Glazing Bead 20 Gage |  |
| GALVN No Holes 20 Gage | |
| GB-10-58X58X58 20GA | |
| 5/8" x 5/8" x 5/8" | |
| 100 pcs \$.31/ft, 2000 pcs \$.24/ft | |
| 100 pc bundle min | |

| | |
|--|---|
| Glazing Bead 18 Gage |  |
| GALVN with punched & | |
| Countersunk # 8 ; 6" from end | |
| 12" on center | |
| GBCS-8'; GBCS-10' | |
| 5/8" x 3/4" x 5/8" | |
| 100 pcs \$.42/ft, 2000 pcs \$.40/ft | |
| 5/8" x 5/8" x 5/8" | |
| 100 pcs \$.40/ft, 2000 pcs \$.38/ft | |
| 100 pc bundle min | |

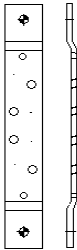
| | |
|--------------------------------|---|
| Weld In (WIR) |  |
| Reinforcement | |
| HRP&O | |
| WIR 1 3/4-12-10GA | |
| 1 3/4" x 12" x 10 gage | |
| \$39.30 /pkg of 30 PCs | |
| WIR 1 3/4-16-10GA | |
| 1 3/4" x 16" x 10 gage | |
| \$ 43.20 /pkg of 30 PCs | |
| WIR 1 1/4-12-10GA | |
| 1 1/4" x 12" x 10 gage | |
| \$ 29.40/pkg of 30 PCs | |

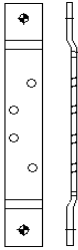
| | |
|-------------------------------|--|
| Weld In (WIR) |  |
| Reinforcement Cont'd | |
| WIR 1 3/4-4-10GA | |
| 1 3/4" x 4" x 10 gage | |
| \$ 21.00/pkg of 30 PCs | |
| WIR 3 1/4-18-16GA | |
| 3" x 18" x 16 gage EZ | |
| \$ 45.00/pkg of 30 PCs | |
| WIR 7/8-12-16GA | |
| 7/8" x 12" x 16 gageHRP&O | |
| \$ 19.50/pkg of 30 PCs | |

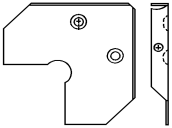
| | |
|--------------------------|---|
| MORTISE LOCK BOX |  |
| MLB-BV-P 1164 CTN | |
| MLB-BV-N 1164 CTN | |
| MLB-SQ-N 1164 CTN | |
| MLB-SQ-P 1164 CTN | |
| 14 gage EZ | |
| \$ 65.06/pkg of 5 | |

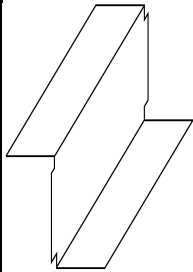
NOTE: PRICES ARE SUBJECT TO CHANGE WITHOUT NOTICE

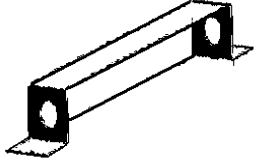
DAYTON INDUSTRIES, INC.

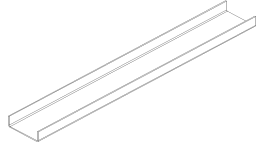
| | |
|--|---|
| HR5001N07Z10C094 |  |
| 5" HW Hinge Reinforcement 1 1/4" x 10" x 7 gage HRPO 4 holes tapped 12-24 fits doors & frames Does NOT accept DC-TAB .094" offset Zn Plate or EZ \$ 260/pkg of 100 | |
| HR5001N07Z10D094 | |
| \$ 90/pkg of 30 | |
| | |

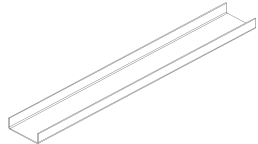
| | |
|--|---|
| HR5001N07Z10C062 |  |
| 5" RW Hinge Reinforcement 1 1/4" x 10" x 7 gage HRPO 4 holes tapped 12-24 fits doors & frames Does NOT accept DC-TAB .062" offset Zn Plate or EZ \$260.00/pkg of 100 | |
| HR5001N07Z10D062 | |
| \$ 90/pkg of 30 | |
| | |

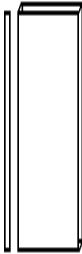
| | |
|--|---|
| CG-19F CTN |  |
| DOOR FRAME GUSSET CRS #6 CSK, .116 DIA (2) | |
| \$ 33.83/pkg of 100 | |
| | |

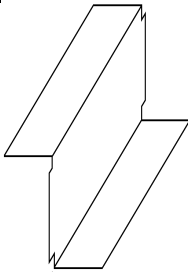
| | |
|---|---|
| Z BAR Weld In EZ |  |
| Z-158 E CTN 1 5/8" long Z-250 E CTN 2 1/2" long Z-358 E CTN 3 5/8" long | |
| \$40/pkg of 100 | |
| | |

| | |
|---------------------------|---|
| EMB-1438 |  |
| ELECTRICAL MUD BOX | |
| 12" X 1 7/8" X 1 7/16" | |
| EMB-1750 | |
| ELECTRICAL MUD BOX | |
| 12" X 1 7/8" X 1 3/4" | |
| \$ 32.50/pkg of 5 | |

| | |
|--|---|
| DOOR CH-3,-4,-8,-10 |  |
| Door Channel | |
| 1/2" x 1 41/64" x 1/2" | |
| 18 gage EZ | |
| \$.52/ft per 10 pc bundle | |
| \$.49/ft per 10 pc bundle (100 LENGTHS) | |

| | |
|----------------------------------|--|
| DOOR CH2-3,-4,-8,-10 |  |
| Door Channel | |
| 7/8" x 1 41/64" x 7/8" | |
| 18 gage EZ | |
| \$.63/ft per 10 pc bundle | |

| | |
|------------------------------|---|
| WIR 1 3/4-12-11GA E |  |
| Weld-in Reinforcement | |
| 1 3/4" x 12" x 11 gage | |
| \$48.00/pkg of 30 PCs | |

| | |
|---|---|
| Z BAR Weld In |  |
| Z-158 CTN 1 5/8" long Z-250 CTN 2 1/2" long Z-358 CTN 3 5/8" long | |
| \$ 40/pkg of 100 | |
| | |

NOTE: PRICES ARE SUBJECT TO CHANGE WITHOUT NOTICE