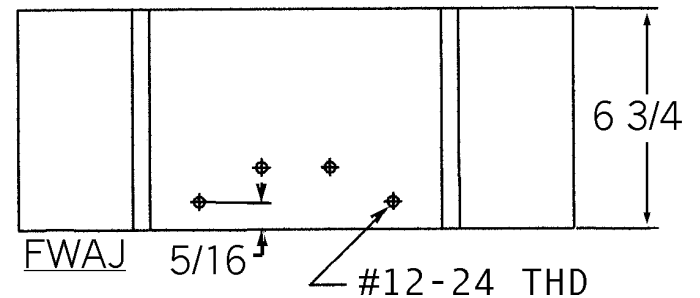
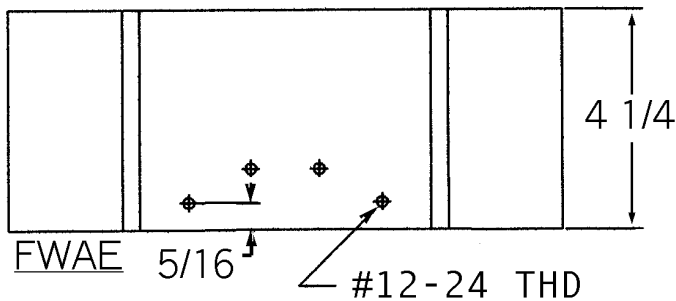
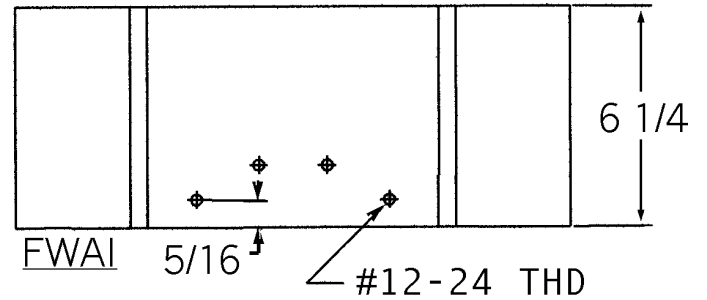
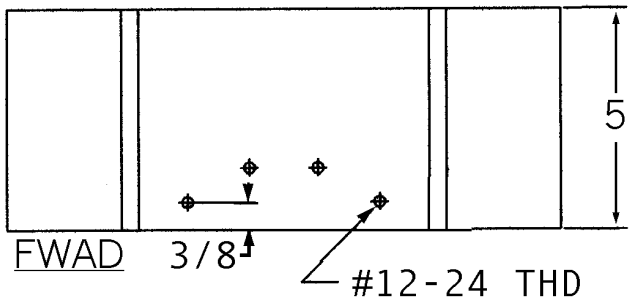
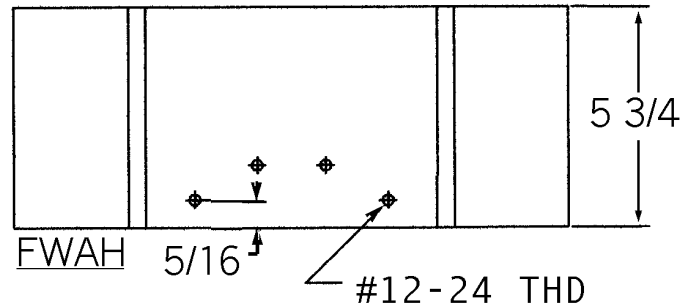
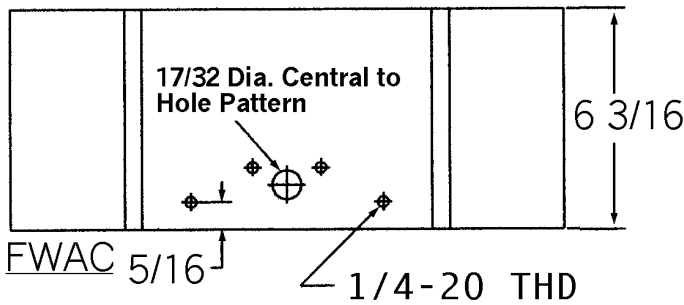
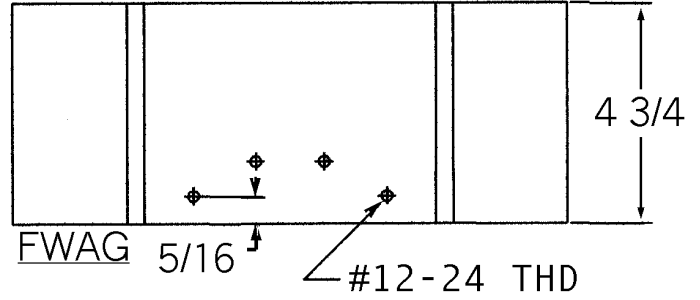
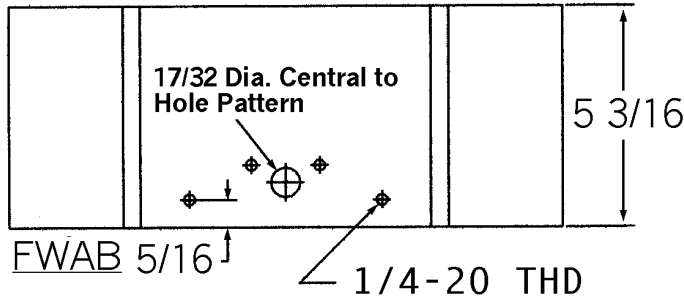
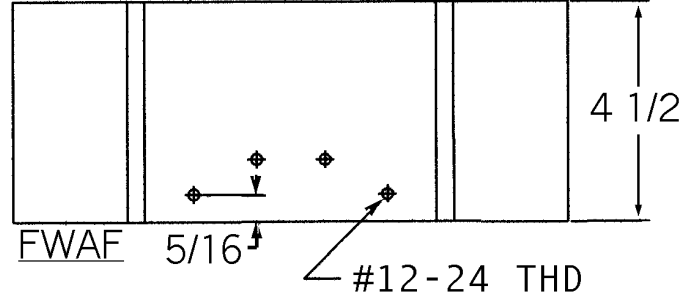
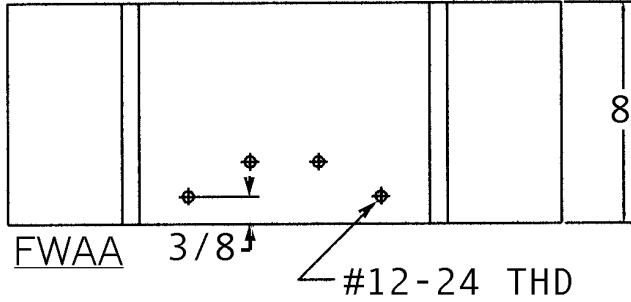


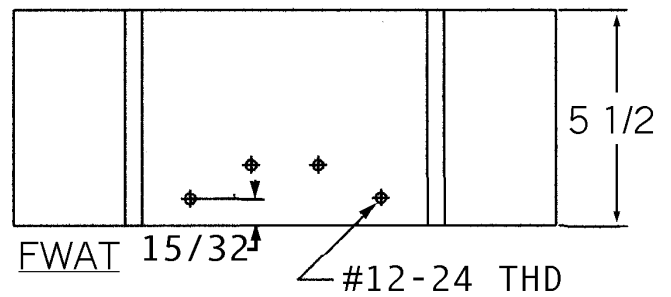
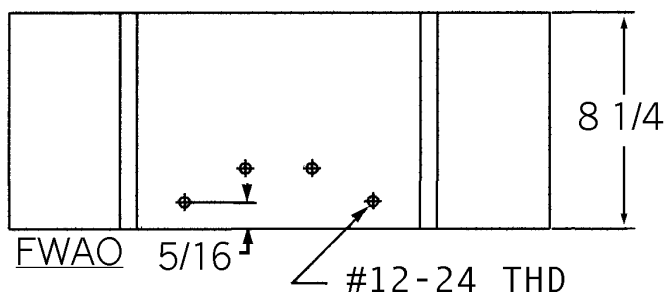
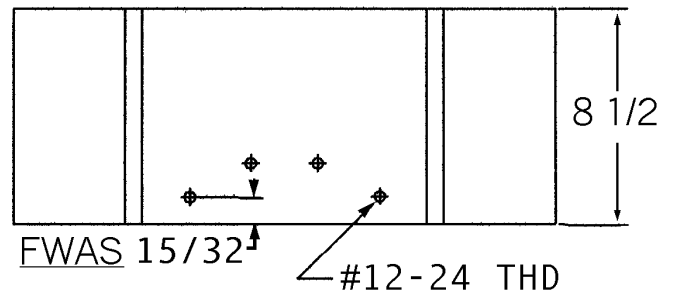
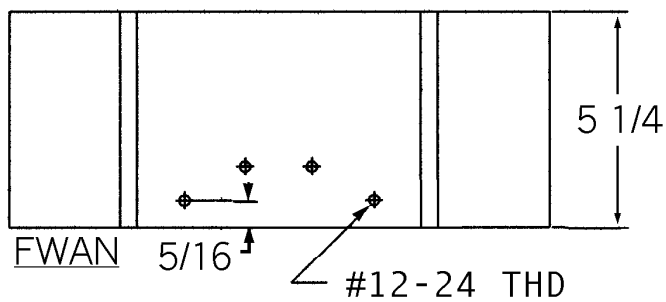
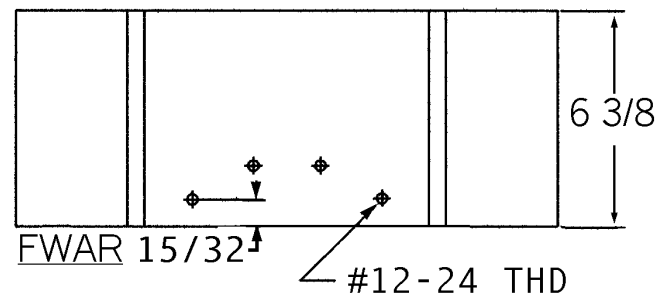
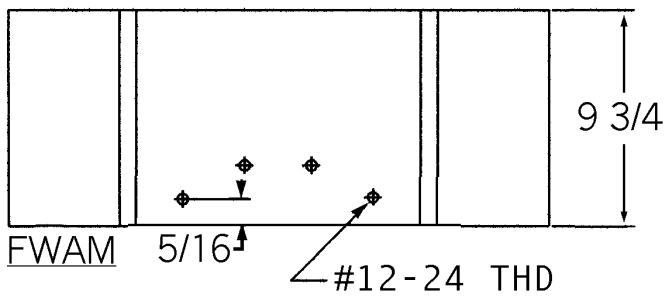
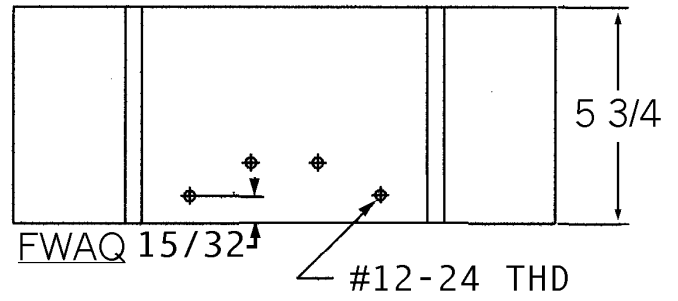
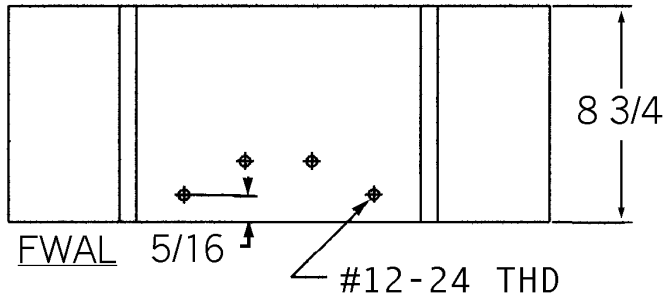
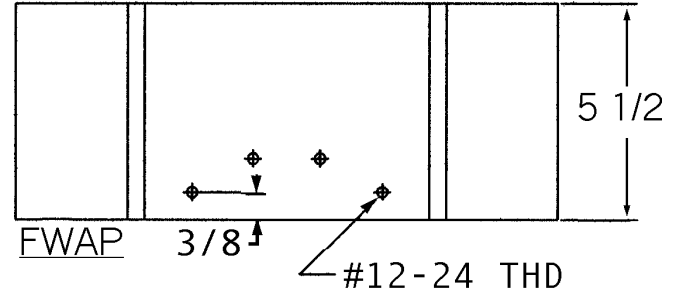
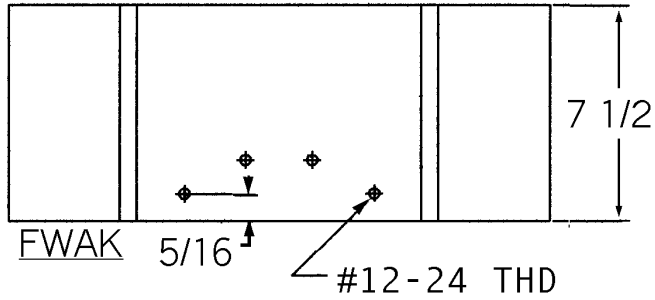
FULL WIDTH HINGE REINFORCEMENTS

AVAILABLE IN 4 1/2", 5" HOLE PATTERN, THICKNESS 7GA,
1/4", 3/8" (FLAT ONLY), FLAT OR OFFSET, with or without PROJECTIONS



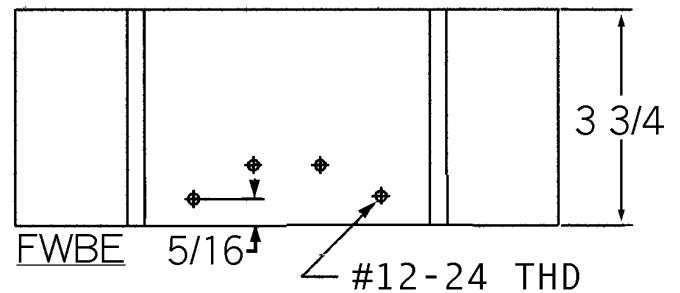
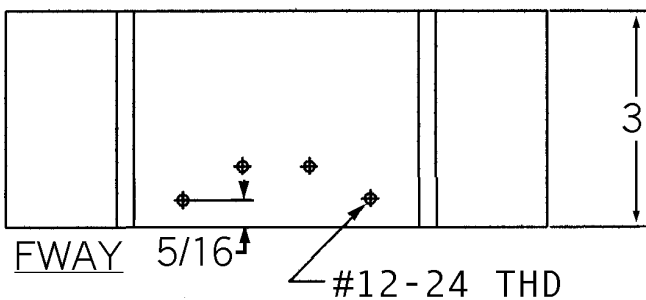
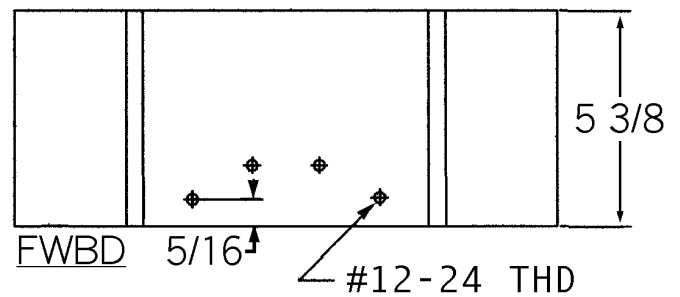
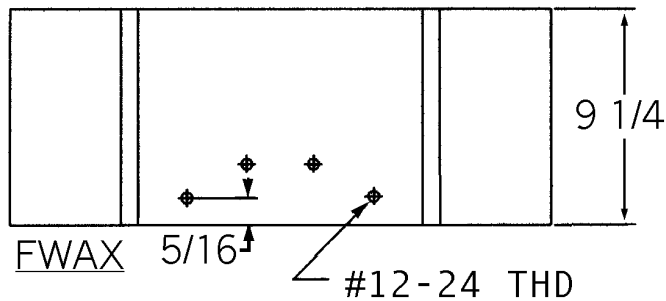
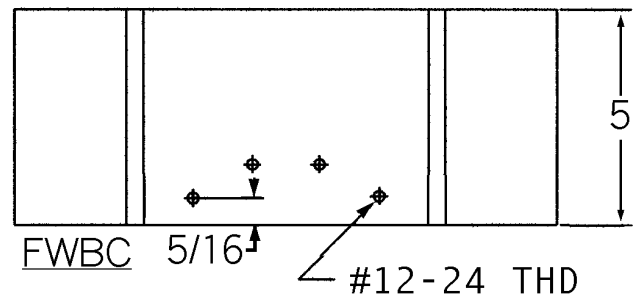
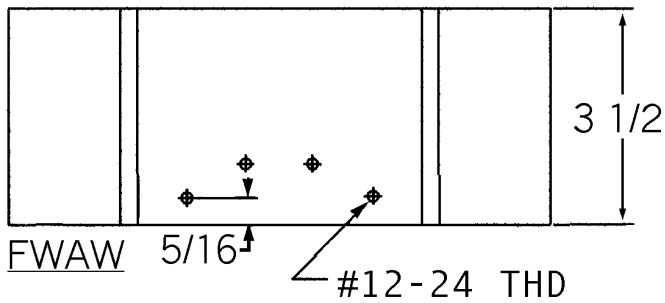
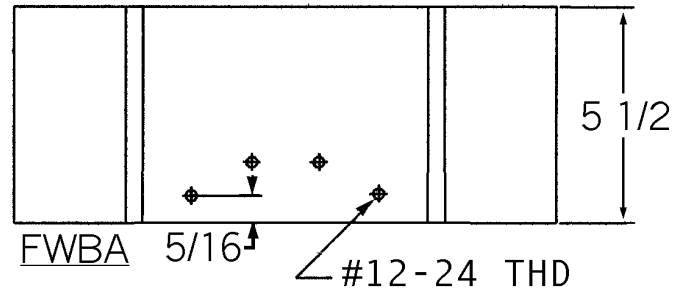
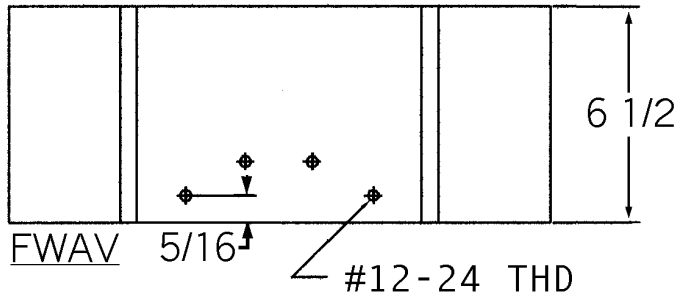
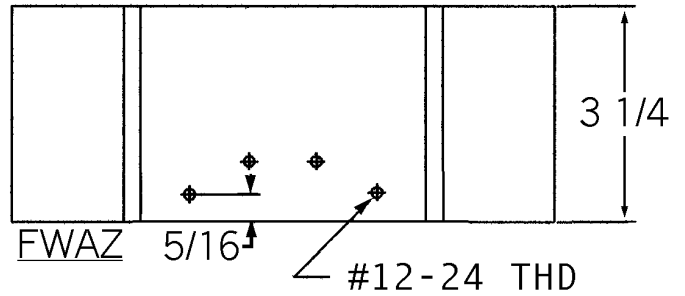
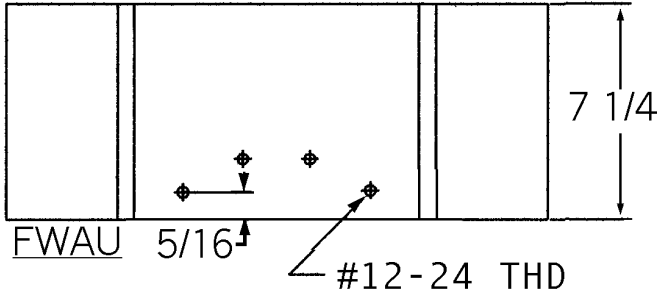
FULL WIDTH HINGE REINFORCEMENTS

AVAILABLE IN 4 1/2", 5" HOLE PATTERN, THICKNESS 7GA,
1/4", 3/8" (FLAT ONLY), FLAT OR OFFSET, with or without PROJECTIONS



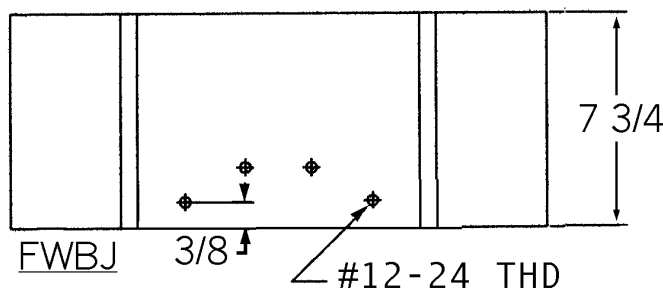
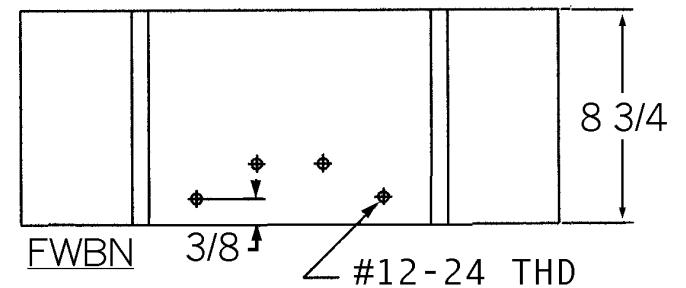
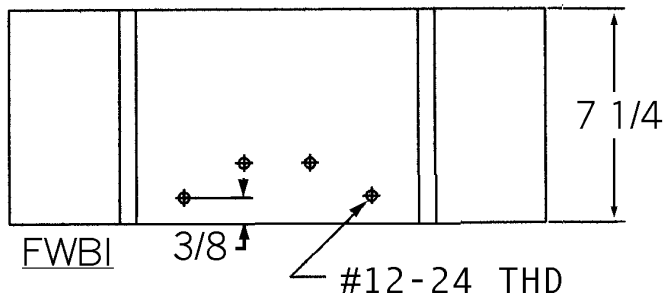
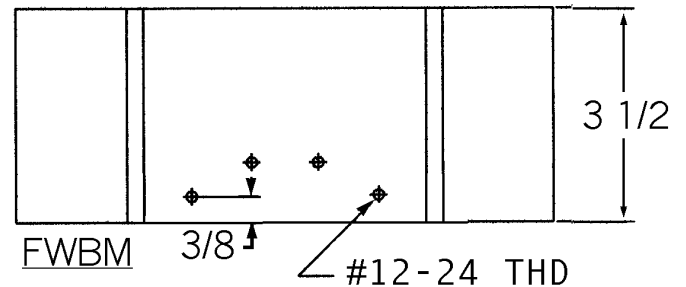
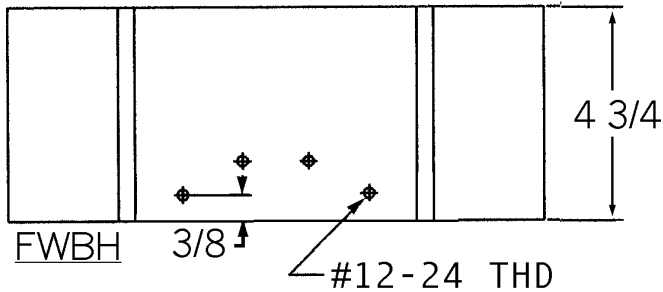
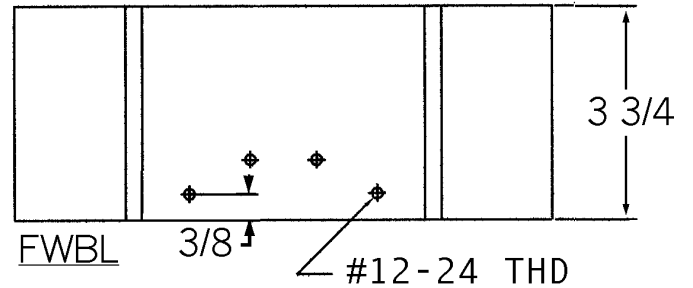
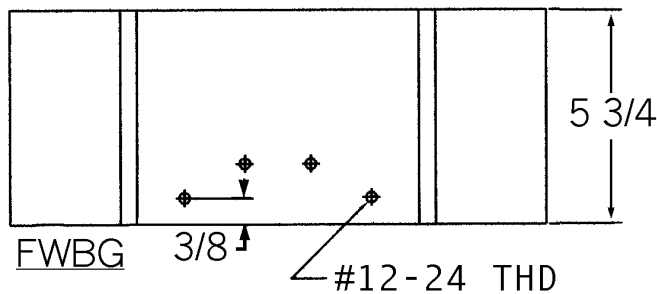
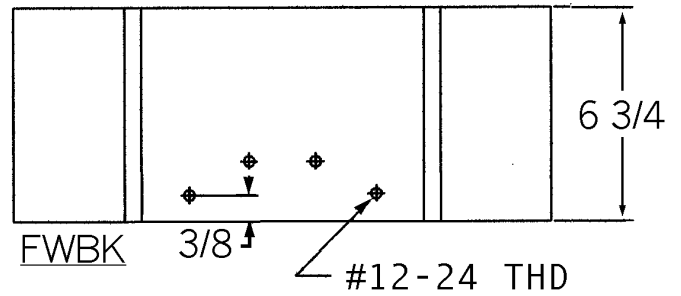
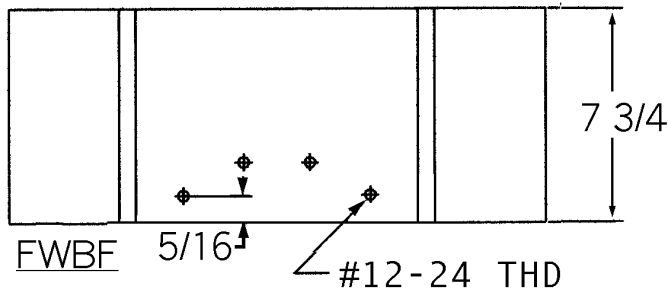
FULL WIDTH HINGE REINFORCEMENTS

AVAILABLE IN 4 1/2", 5" HOLE PATTERN, THICKNESS 7GA,
1/4", 3/8" (FLAT ONLY), FLAT OR OFFSET, with or without PROJECTIONS

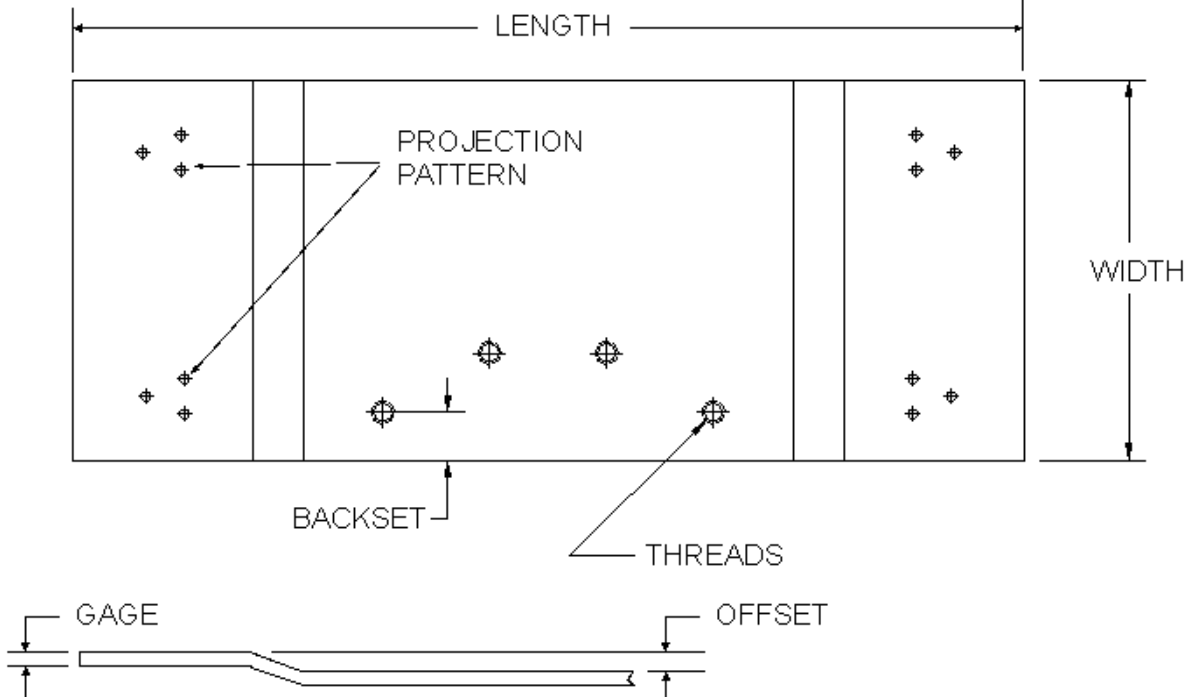


FULL WIDTH HINGE REINFORCEMENTS

AVAILABLE IN 4 1/2", 5" HOLE PATTERN, THICKNESS 7GA,
1/4", 3/8" (FLAT ONLY), FLAT OR OFFSET, with or without PROJECTIONS



FULL WIDTH HINGE REINFORCEMENTS



AVAILABLE IN 4 1/2", 5" HOLE PATTERN, THICKNESS 7GA, 1/4", 3/8" (FLAT ONLY), FLAT OR OFFSET, with or without PROJECTIONS

RIGHT ANGLE HINGE REINFORCEMENTS

AVAILABLE IN 4 1/2", 5" HOLE PATTERN, THICKNESS 7GA, 10GA, 11GA with or without PROJECTIONS

